



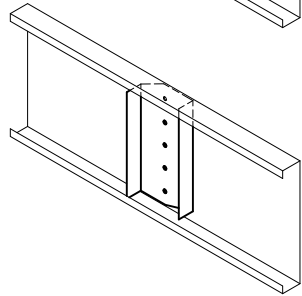
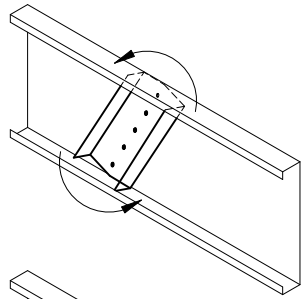
9100 Centre Pointe Dr.
Suite 210
West Chester, OH 45088
Phone: (513) 870-9100

ClarkDietrich
BUILDING SYSTEMS

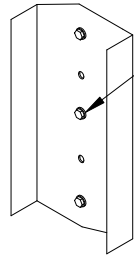
Engineering Services: (877) 832-3206

TradeReady FLOOR DETAILS

Technical Services: (888) 437-3244



WEB STIFFENER INSTALLATION

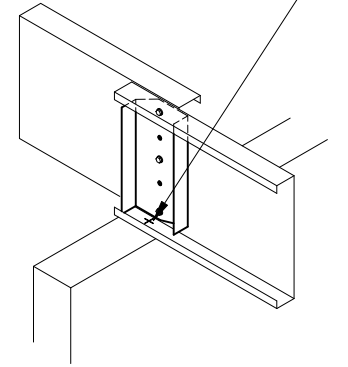


(3) #10-16 SCREWS
TO JOIST WEB

NOTE:

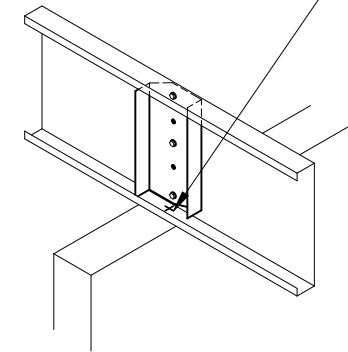
The unique design of the ClarkDietrich EasyClip QuickTwist web stiffener allows it to be easily rotated in-place for a tight fit between flanges. The web stiffener shall be secured to the web of the joist with (3) #10-16 screws. Screws shall be driven through the top, bottom and middle pre-punched holes as shown in the illustrations.

FASTEN JOIST TO BEARING
SUPPORT WITH APPROPRIATE
FASTENER



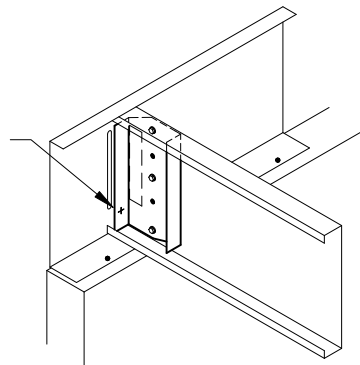
WEB STIFFENER AT JOIST LAP

FASTEN JOIST TO BEARING
SUPPORT WITH APPROPRIATE
FASTENER



WEB STIFFENER AT BEARING POINT

SCREWS AS REQUIRED,
THROUGH BASE
OF RIM TO WEB
STIFFENER FLANGE



WEB STIFFENER AT RIM TRACK

F1301

WEB STIFFENER – QuickTwist

ClarkDietrich TradeReady Floor Joist System

DRAWING:
F1301